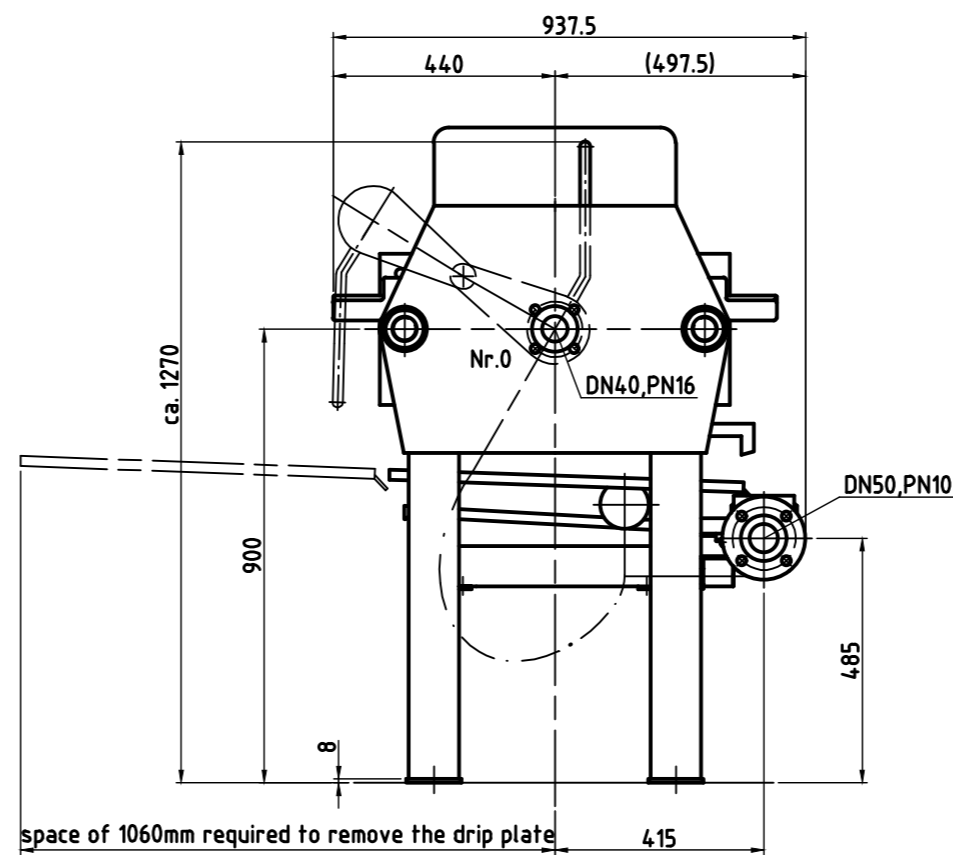
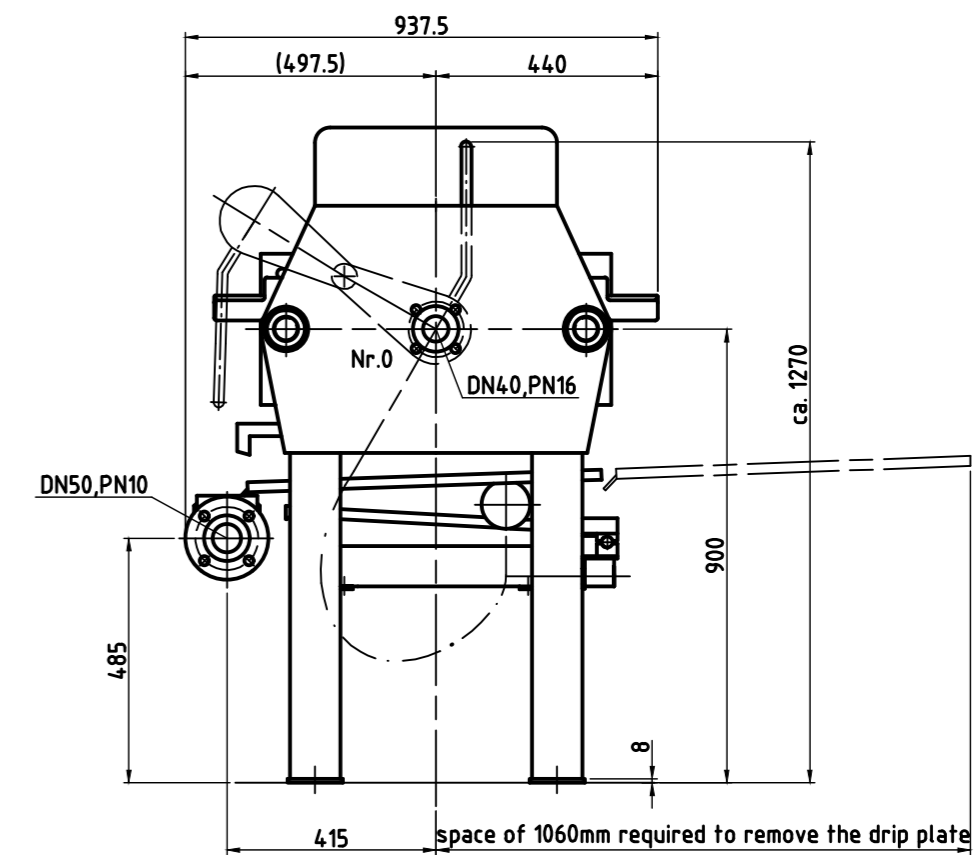


**design with open filtrate outlet
operating side right and launder discharge Pos. 2**



**design with open filtrate outlet
operating side left and launder discharge Pos. 4**



**design with filter plates, cake thickness 25mm and filter cloths Codeno. 2330
density of filter cake: $q = 2\text{kg/dm}^3$**

max. filtration pressure: 15 bar overpressure
max. closing pressure: 450 bar overpressure
filter plates of PP

size of press		470/10	470/20	470/30	470/40	470/50
no. of chambers	Stück	10	20	30	40	50
filter area	dm ²	358	716	1074	1432	1790
contents of press	dm ³	38	76	114	152	190
weight of empty press	kg	850	950	1100	1200	1300
pack length	mm	537	1027	1517	2007	2497
foundation dimension "A"	mm	1215	1705	2195	2685	3175
V1, V2, V3 und V4 max.	kN	2,5	3	3,5	4	4,5
H =	kN	1	1	1,5	1,5	2
bill of material no. with launder discharge "right", Pos. 2		206614859	206614860	206614861	206614862	206614863
bill of material no. with launder discharge "left", Pos. 4		206614869	206614870	206614871	206614872	206614873

H = horizontal force resulting from changes in length caused thermally and mechanically

Product Type		Product Code	
Initial Revision		Actual Revision	
Drawn O.Plommer	selott01 15.03.2017	H.Fieber	selhor01 23.10.2017
Checked H.Fieber	selhor01 15.03.2017	O.Plommer	selott01 23.10.2017
Revision V2 + V4 nachgetragen.		Description	
DIMENSION SHEET		chamber filter press 470x470; open filtrate outlet with hand pump	
Size A2	Sheet/Sheets 1/1	Scale 1:15	
702658326 C		ANDRITZ	

The reproduction, distribution and utilization of this document as well as the communication of its contents to others without express authorization is prohibited. Offenders will be held liable for the payment of damages. All rights reserved in the event of the grant of a patent, utility model or design. (ISO 15001)